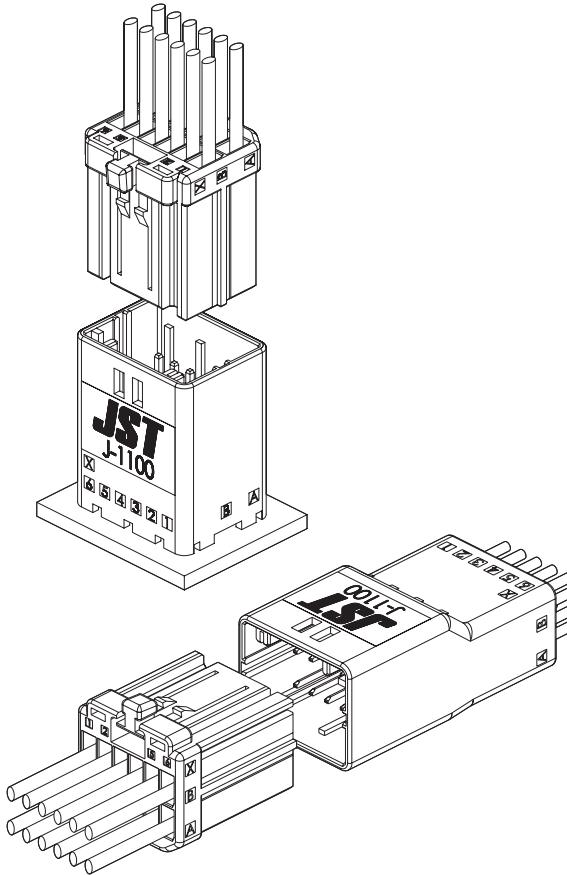




JFA CONNECTOR J1000 SERIES

2.2mm pitch/Disconnectable Crimp style connectors(Wire-to-board/Wire-to-wire)



Connectors for signal circuit or power supply circuit, applicable to the factory automation, heavy electric machinery, and other industrial equipment in general. In spite of various kinds of housings available, their contacts are designed to be common. The applicable tooling can be standardized.

- Double-spring construction
- Up to AWG #18 with 2.2 mm pitch
- Housing lance
- Secure locking method
- Recognition mark

Specifications

•Current rating: Unit: (A)

Circuits	Wire size (AWG)					
	#18	#20	#22	#24	#26	#28
3	6.4	5.4	4.8	4.0	3.4	2.8
6	5.5	4.6	4.0	3.4	2.9	2.4
8	5.5	4.6	4.0	3.1	2.6	2.2
12	4.7	3.9	3.4	2.7	2.3	2.0
20	4.0	3.4	3.0	2.4	2.0	1.8
22	3.9	3.3	2.9	2.3	1.9	1.7
26	3.6	3.0	2.6	2.2	1.8	1.6
30	3.6	3.0	2.6	2.1	1.7	1.5

•Voltage rating: 125 V AC, DC/ J1100
250 V AC, DC/ J1800

•Temperature range: -55°C to +105°C
(including temperature rise in applying electrical current)

•Applicable wire: AWG #28 to #18

•Applicable PC board thickness: 1.6 mm

*In using the products, refer to "Handling Precaution for Terminal and Connector" described on our website (Technical documents of Product information page).

*Contact JST for details.

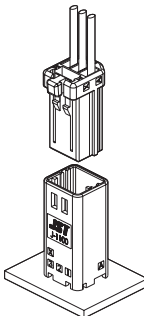
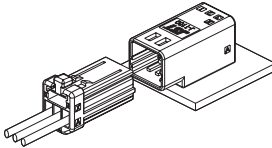
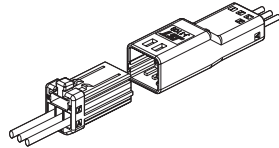
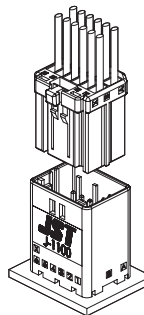
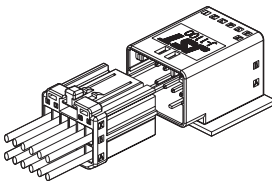
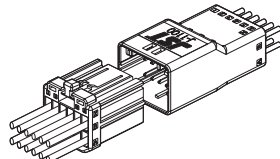
*RoHS2 compliance.

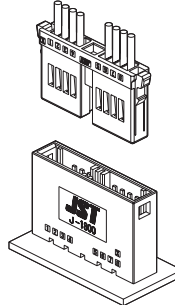
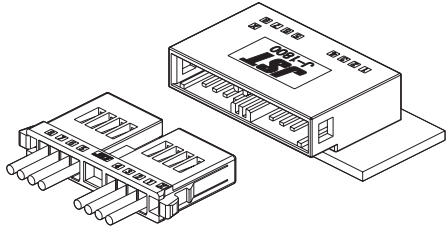
Standards

 Recognized E60389

JFA CONNECTOR/J1000 SERIES

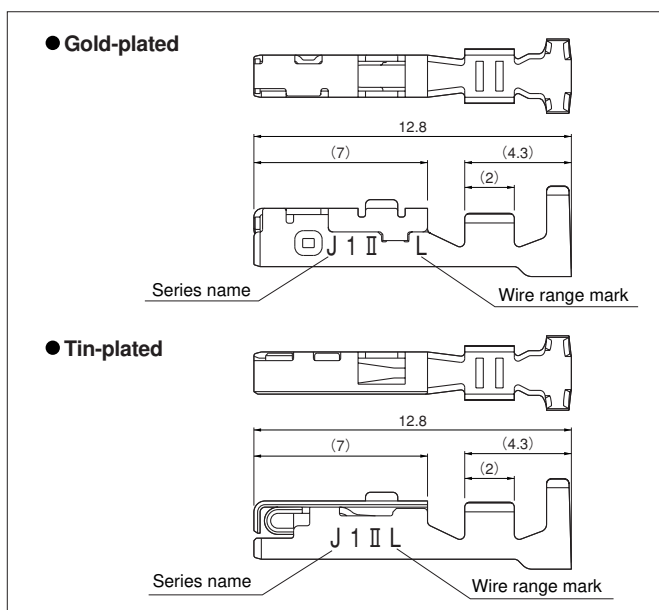
List of J1000 series products

Type		2.2 mm pitch / Voltage rating 125 V AC, DC		
		Wire-to-board		Wire-to-wire
		Top entry type	Side entry type	Free hanging type
Center locking type	J1100 Single-row type			
	Circuits	3	3	3
	J1100 Double-row type			
	Circuits	6, 8, 12, 20, 22, 26, 30	6, 8, 12, 20, 30	6, 8, 12, 20, 26

Type		2.2 mm pitch / Voltage rating 250 V AC, DC	
		Wire-to-board	
		Top entry type	Side entry type
Side locking type (Thin type)	J1800 Single-row type		
	Circuits	8	8

JFA CONNECTOR/J1000 SERIES

Receptacle contact



Strip contact Model No.	Series	Applicable wire			Insulation O.D. (mm)	Q'ty/reel
		Size	mm ²	AWG #		
SF1F-002GC-P0.6	Gold (0.2μm)	M	0.08~0.2	28~24	0.88~1.43	6,000
SF1F-002T-P0.6	Tin					
SF1F-01GC-P0.6	Gold (0.2μm)	ME	0.2~0.5	24~20	1.30~1.90	5,500
SF1F-21GC-P0.6	Gold (0.2μm)	L	0.3~0.8	22~18	1.50~2.10	5,000
SF1F-21T-P0.6	Tin					

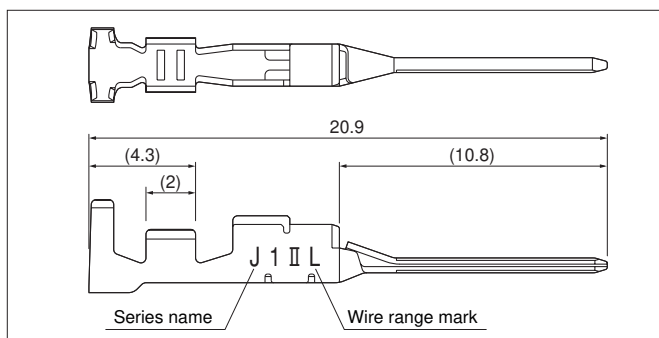
Material and Finish

Copper alloy, nickel-undercoated, selective gold-plated
Tin-plated

RoHS2 compliance

Note: Contact JST for 0.76 μm gold-plated product.

Tab contact



Strip contact Model No.	Series	Applicable wire			Insulation O.D. (mm)	Q'ty/reel
		Size	mm ²	AWG #		
SF1M-002GC-M0.6A	Gold (0.2μm)	M	0.08~0.2	28~24	0.88~1.43	6,000
SF1M-002T-M0.6A	Tin					
SF1M-01GC-M0.6A	Gold (0.2μm)	ME	0.2~0.5	24~20	1.30~1.90	5,500
SF1M-21GC-M0.6A	Gold (0.2μm)	L	0.3~0.8	22~18	1.50~2.10	5,000
SF1M-21T-M0.6A	Tin					

Material and Finish

Copper alloy, nickel-undercoated, selective gold-plated
Tin-plated

RoHS2 compliance

Note: Contact JST for 0.76 μm gold-plated product.

Crimping machine, Applicator

Strip contact Model No.	Crimping machine	Applicator			
		Crimp applicator	Dies	Crimp applicator with dies	Hand crimp tools
SF1F-002(*)-P0.6	AP-K2N	MKS-L	MK/SF1F/ M-002-06	APLMK SF1F/ M002-06	YRK-1220
SF1M-002(*)-M0.6A					
SF1F-01GC-P0.6	AP-K2N	MKS-L	MK/SF1F/ M-01-06	APLMK SF1F/ M01-06	YRK-1230
SF1M-01GC-M0.6A					

Strip contact Model No.	Crimping machine	Applicator			
		Crimp applicator	Dies	Crimp applicator with dies	Hand crimp tools
SF1F-21(*)-P0.6	AP-K2N	MKS-L	MK/SF1F/ M-21-06	APLMK SF1F/ M21-06	YRK-1210
SF1M-21(*)-M0.6A					

Note: Finish (*): GC ...Nickel-undercoated, 0.2 μm selective gold-plated
TTin-plated

- Extraction tool for J1100 series: EJ-JFAJ1100/EJ-JFAJ1100N
 - Extraction tool for J1800 series: EJ-JFAJ18
 - Refer to the page of "Crimping tools" for details of YRK series hand crimping tools that uses a strip contact.
- Note: Contact JST for fully automatic crimping applicator.

Recognition mark

Plating of the contact

Each contact has a marking on its side so that the type or thickness of the plating is recognized.

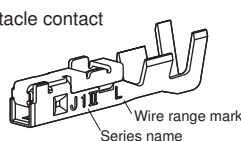
- 1 ... gold-plated 0.2 μm thickness
- 3 ... gold-plated 0.76 μm thickness
- 5 ... tin-plated

Common marking on the contact and its application tools

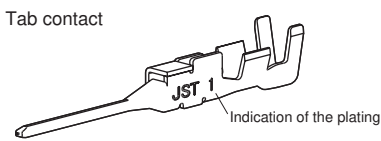
In order to avoid incorrect combination of the hand crimp tools or extraction tools and the contacts, the series name (for example J1 II) and wire range mark (M, ME, L) are shown on both the tools and the contacts.

J1 II	M.....	AWG #28 ~ #24
	ME.....	AWG #24 ~ #20
	L.....	AWG #22 ~ #18

Receptacle contact



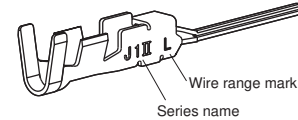
Tab contact



Receptacle contact



Tab contact



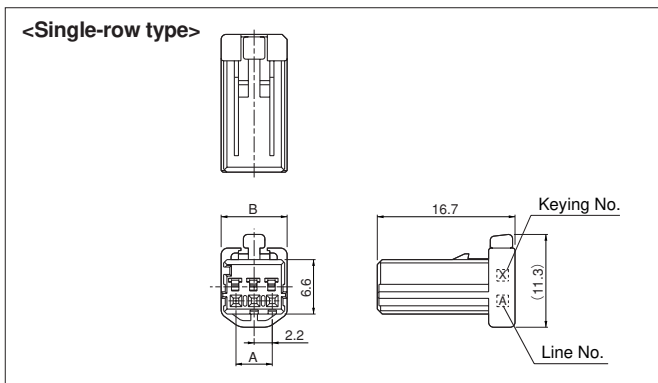
J1000 SERIES/J1100

Assembly layout

Type	Wire-to-board		Wire-to-wire
	Top entry type	Side entry type	Free hanging type
J1100 Single-row type			
J1100 Double-row type			

J1000 SERIES/J1100

Receptacle housing



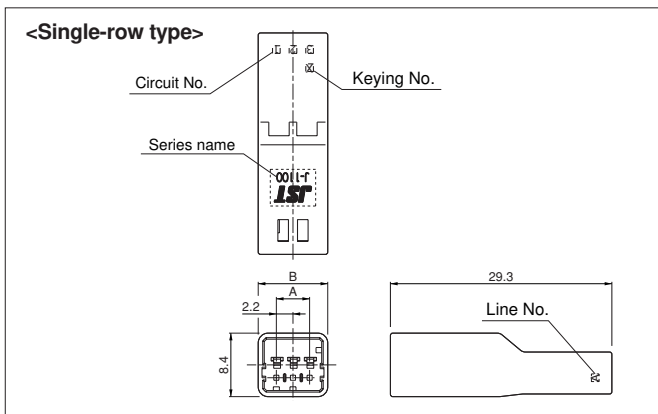
Circuits	Keying	Model No.	Dimensions (mm)		Q'ty/box
			A	B	
3	X	J11SF-03V-KX	4.4	8.0	1,200
	Y	J11SF-03V-KY	4.4	8.0	1,200

Material and Finish

Glass-filled PBT, UL94V-0, black

RoHS2 compliance

Tab housing



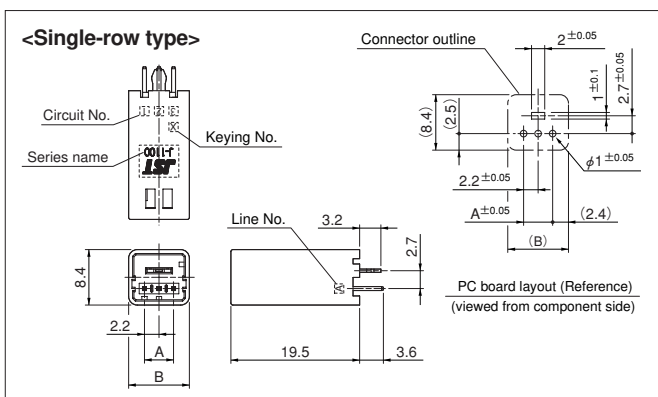
Circuits	Keying	Model No.	Dimensions (mm)		Q'ty/box
			A	B	
3	X	J11SFM-03V-KX	4.4	9.2	500
	Y	—	—	—	—

Material and Finish

Glass-filled PBT, UL94V-0, black

RoHS2 compliance

Header Top entry type



Circuits	Plating	Keying	Model No.	Dimensions (mm)		Q'ty/box
				A	B	
3	Gold (0.2μm)	X	B03B-J11SK-GWXR	4.4	9.2	625
		Y	B03B-J11SK-GWYR			
	Tin	X	B03B-J11SK-TXR	4.4	9.2	
		Y	B03B-J11SK-TYR			

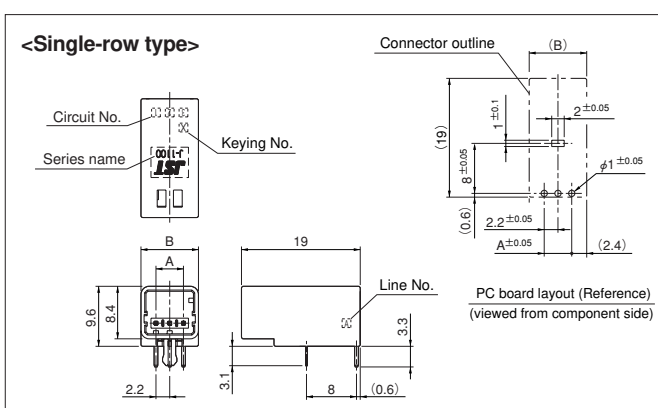
Material and Finish

Post: Copper alloy, gold-plated, tin-plated
Housing: Glass-filled PBT, UL94V-0, black
Reinforcement: Copper alloy, tin-plated

RoHS2 compliance

Note: 1. Gold-plated product displays (LF) on a label.
2. Contact JST for 0.76 μm gold-plated product.

Header Side entry type



Circuits	Plating	Keying	Model No.	Dimensions (mm)		Q'ty/box
				A	B	
3	Gold (0.2μm)	X	S03B-J11SK-GWXR	4.4	9.2	600
		Y	S03B-J11SK-GWYR			
	Tin	X	S03B-J11SK-TXR	4.4	9.2	
		Y	S03B-J11SK-TYR			

Material and Finish

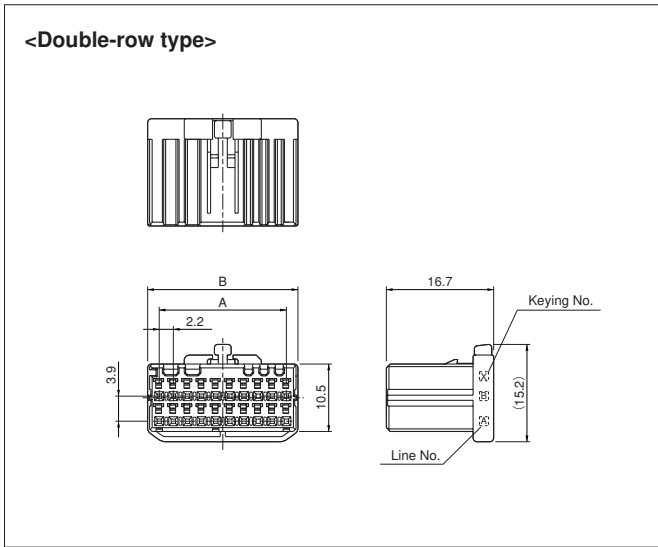
Post: Copper alloy, gold-plated, tin-plated
Housing: Glass-filled PBT, UL94V-0, black
Reinforcement: Copper alloy, tin-plated

RoHS2 compliance

Note: 1. Gold-plated product displays (LF) on a label.
2. Contact JST for 0.76 μm gold-plated product.

J1000 SERIES/J1100

Receptacle housing



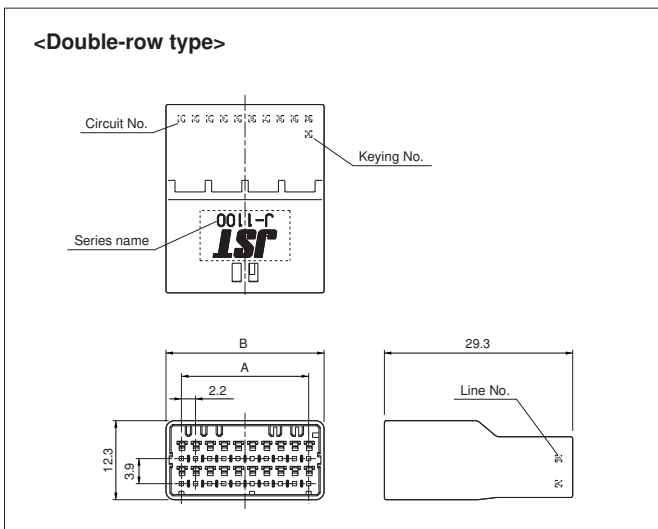
Circuits	Keying	Model No.	Dimensions (mm)		Q'ty/box
			A	B	
6	X	J11DF-06V-KX	4.4	8.0	800
	Y	J11DF-06V-KY	4.4	8.0	800
8	X	J11DF-08V-KX	6.6	10.2	500
	Y	J11DF-08V-KY	6.6	10.2	500
12	X	J11DF-12V-KX	11.0	14.6	400
	Y	J11DF-12V-KY	11.0	14.6	400
20	X	J11DF-20V-KX	19.8	23.4	250
	Y	J11DF-20V-KY	19.8	23.4	250
22	X	J11DF-22V-KX	22.0	25.6	250
	Y	J11DF-22V-KY	22.0	25.6	250
26	X	J11DF-26V-KX	26.4	30.0	200
	Y	J11DF-26V-KY	26.4	30.0	200
30	X	J11DF-30V-KX	30.8	34.4	180
	Y	J11DF-30V-KY	30.8	34.4	180

Material and Finish

Glass-filled PBT, UL94V-0, black

RoHS2 compliance

Tab housing



Circuits	Keying	Model No.	Dimensions (mm)		Q'ty/box
			A	B	
6	X	J11DFM-06V-KX	4.4	9.2	400
	Y	J11DFM-06V-KY	4.4	9.2	400
8	X	J11DFM-08V-KX	6.6	11.4	300
	Y	—	—	—	—
12	X	J11DFM-12V-KX	11.0	15.8	200
	Y	—	—	—	—
20	X	J11DFM-20V-KX	19.8	24.6	150
	Y	—	—	—	—
26	X	J11DFM-26V-KX	26.4	31.2	120
	Y	J11DFM-26V-KY	26.4	31.2	120

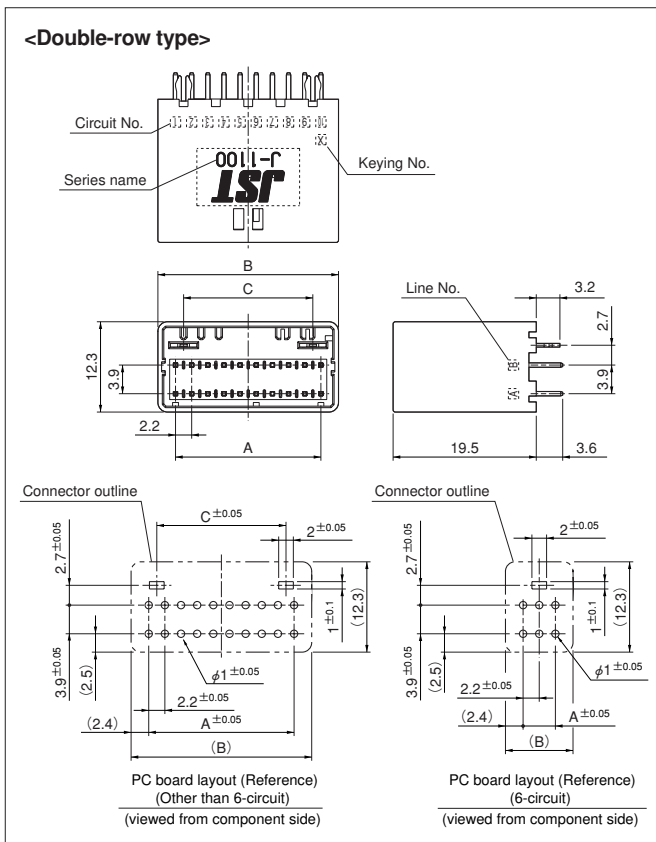
Material and Finish

Glass-filled PBT, UL94V-0, black

RoHS2 compliance

J1000 SERIES/J1100

Header Top entry type



Circuits	Plating	Keying	Model No.	Dimensions (mm)			Q'ty/ box
				A	B	C	
6	Gold (0.2μm)	X	B06B-J11DK-GWXR	4.4	9.2	—	500
		Y	B06B-J11DK-GWYR	4.4	9.2	—	500
	Tin	X	B06B-J11DK-TXR	4.4	9.2	—	500
		Y	B06B-J11DK-TYR	4.4	9.2	—	500
8	Gold (0.2μm)	X	B08B-J11DK-GWXR	6.6	11.4	4.4	400
		Y	B08B-J11DK-GWYR	6.6	11.4	4.4	400
	Tin	X	B08B-J11DK-TXR	6.6	11.4	4.4	400
		Y	B08B-J11DK-TYR	6.6	11.4	4.4	400
12	Gold (0.2μm)	X	B12B-J11DK-GWXR	11.0	15.8	8.8	280
		Y	B12B-J11DK-GWYR	11.0	15.8	8.8	280
	Tin	X	B12B-J11DK-TXR	11.0	15.8	8.8	280
		Y	B12B-J11DK-TYR	11.0	15.8	8.8	280
20	Gold (0.2μm)	X	B20B-J11DK-GWXR	19.8	24.6	17.6	180
		Y	B20B-J11DK-GWYR	19.8	24.6	17.6	180
	Tin	X	B20B-J11DK-TXR	19.8	24.6	17.6	180
		Y	B20B-J11DK-TYR	19.8	24.6	17.6	180
22	Gold (0.2μm)	X	B22B-J11DK-GWXR	22.0	26.8	19.8	160
		Y	B22B-J11DK-GWYR	22.0	26.8	19.8	160
26	Gold (0.2μm)	X	B26B-J11DK-GWXR	26.4	31.2	24.2	140
		Y	B26B-J11DK-GWYR	26.4	31.2	24.2	140
30	Gold (0.2μm)	X	B30B-J11DK-GWXR	30.8	35.6	28.6	120
		Y	B30B-J11DK-GWYR	30.8	35.6	28.6	120

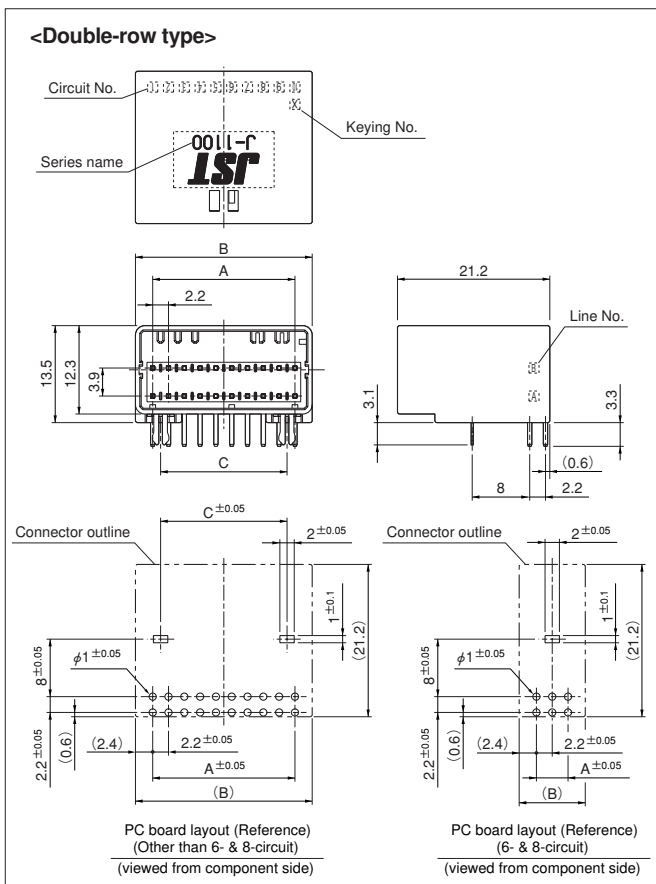
Material and Finish

Post: Copper alloy, gold-plated, tin-plated
Housing: Glass-filled PBT, UL94V-0, black
Reinforcement: Copper alloy, tin-plated

RoHS2 compliance

Note: 1. Gold-plated product displays (LF) on a label.
2. Contact JST for 0.76 μm gold-plated product.

Header Side entry type



Circuits	Plating	Keying	Model No.	Dimensions (mm)			Q'ty/ box
				A	B	C	
6	Gold (0.2μm)	X	S06B-J11DK-GWXR	4.4	9.2	—	375
		Y	S06B-J11DK-GWYR	4.4	9.2	—	375
	Tin	X	S06B-J11DK-TXR	4.4	9.2	—	375
		Y	S06B-J11DK-TYR	4.4	9.2	—	375
8	Gold (0.2μm)	X	S08B-J11DK-GWXR	6.6	11.4	—	300
		Y	S08B-J11DK-GWYR	6.6	11.4	—	300
	Tin	X	S08B-J11DK-TXR	6.6	11.4	—	300
		Y	S08B-J11DK-TYR	6.6	11.4	—	300
12	Gold (0.2μm)	X	S12B-J11DK-GWXR	11.0	15.8	8.8	225
		Y	S12B-J11DK-GWYR	11.0	15.8	8.8	225
	Tin	X	S12B-J11DK-TXR	11.0	15.8	8.8	225
		Y	S12B-J11DK-TYR	11.0	15.8	8.8	225
20	Gold (0.2μm)	X	S20B-J11DK-GWXR	19.8	24.6	17.6	135
		Y	S20B-J11DK-GWYR	19.8	24.6	17.6	135
	Tin	X	S20B-J11DK-TXR	19.8	24.6	17.6	135
		Y	S20B-J11DK-TYR	19.8	24.6	17.6	135
30	Gold (0.2μm)	X	S30B-J11DK-GWXR	30.8	35.6	28.6	90
		Y	—	—	—	—	

Material and Finish

Post: Copper alloy, gold-plated, tin-plated
Housing: Glass-filled PBT, UL94V-0, black
Reinforcement: Copper alloy, tin-plated

RoHS2 compliance

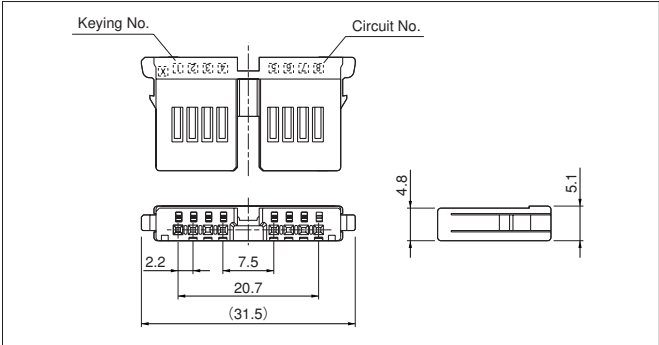
Note: 1. Gold-plated product displays (LF) on a label.
2. Contact JST for 0.76 μm gold-plated product.

J1000 SERIES/J1800

Assembly layout

Type	Wire-to-board	
	Top entry type	Side entry type
J1800 Single-row type		

Receptacle housing

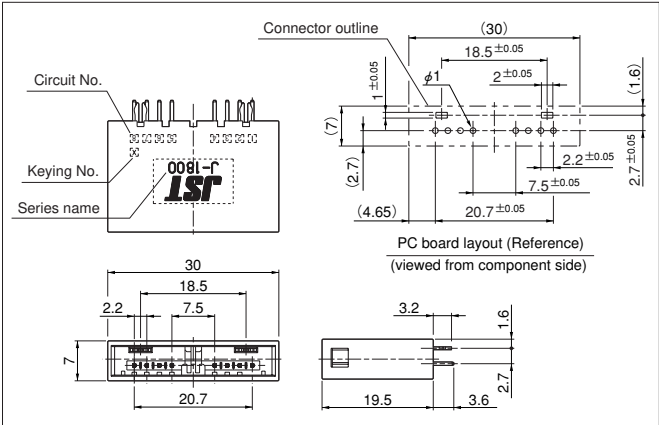


Circuits	Keying	Model No.	Q'ty/box
8	X	J18SF-08V-KX	450
	Y	—	—

Material and Finish
Glass-filled PBT, UL94V-0, black

RoHS2 compliance

Header Top entry type

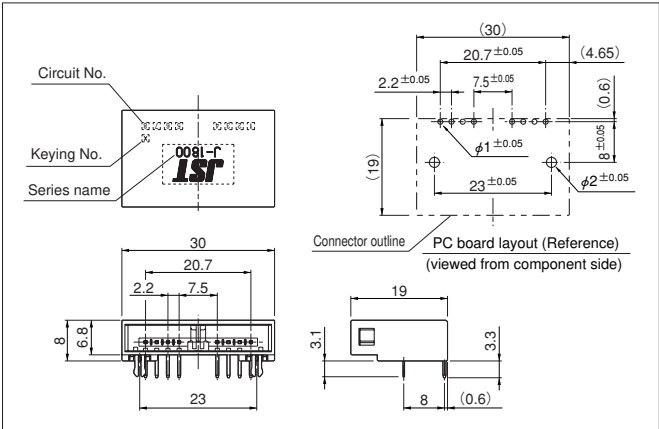


Circuits	Keying	Model No.	Q'ty/box
8	X	B08B-J18SK-TXR	245
	Y	—	—

Material and Finish
Post: Copper alloy, tin-plated
Housing: Glass-filled PBT, UL94V-0, black
Reinforcement: Copper alloy, tin-plated

RoHS2 compliance

Header Side entry type



Circuits	Keying	Model No.	Q'ty/box
8	X	S08B-J18SK-TXR	220
	Y	—	—

Material and Finish
Post: Copper alloy, tin-plated
Housing: Glass-filled PBT, UL94V-0, black
Reinforcement: Copper alloy, tin-plated

RoHS2 compliance

JFA CONNECTOR/J1000 SERIES

Model number identification

Receptacle contact

S F1 F - 21 T - P 0.6

Form: S...Strip form

Series name

Kind of terminal: F...Receptacle contact

Applicable wire: 002...AWG #28 ~ AWG #24
01...AWG #24 ~ AWG #20
21...AWG #22 ~ AWG #18

Surface finish: GC...Nickel-undercoated, selective gold-plated (0.2μm)
T...Tin-plated

Material: P...Copper alloy

Terminal size

Tab contact

S F1 M - 21 T - M 0.6 A

Form: S...Strip form

Series name

Kind of terminal: M...Tab contact

Applicable wire: 002...AWG #28 ~ AWG #24
01...AWG #24 ~ AWG #20
21...AWG #22 ~ AWG #18

Surface finish: GC...Nickel-undercoated, selective gold-plated (0.2μm)
T...Tin-plated

Material: M...Copper alloy

Terminal size

Sub model number

Receptacle housing

J11 DF - 06 V - K X

Series name

Type of connector: SF...Single-row type
DF...Double-row type

Circuits: 3, 6, 8, 12, 20, 22, 26, 30

Flammability: V...UL94V-0

Color indication: K...Black

Keying: X...X-Keying, Y...Y-Keying

Tab housing

J11 DFM - 06 V - K X

Series name

Type of connector: SFM...Single-row type
DFM...Double-row type

Circuits: 3, 6, 8, 12, 20, 26

Flammability: V...UL94V-0

Color indication: K...Black

Keying: X...X-Keying, Y...Y-Keying

Header

B 06 B - J11 D K - T X R

PC board mounting direction:
B...Top entry type
S...Side entry type

Circuits: 3, 6, 8, 12, 20, 22, 26, 30

Product name: Header

Series name

Rows: S...Single-row, D...Double-row

Color indication: K...Black

Surface finish: GW...Gold-plated (0.2μm), T...Tin-plated

Keying: X...X-Keying, Y...Y-Keying

Packaging form: R...Tray