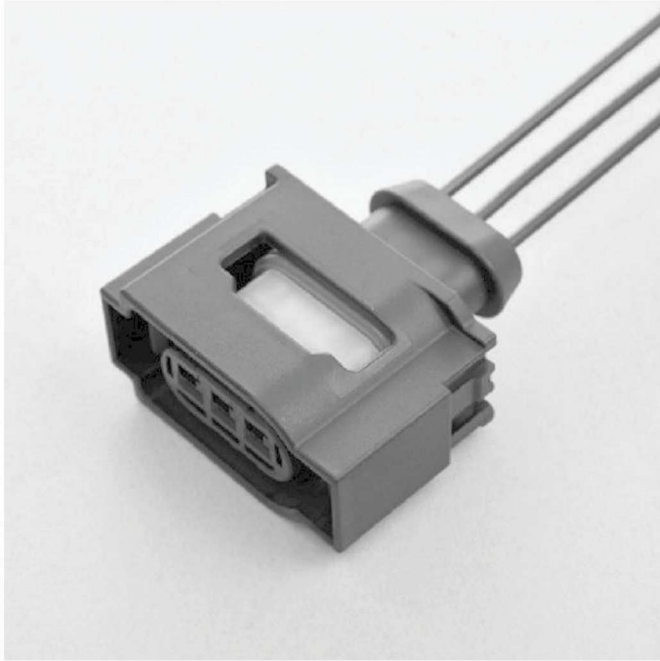


MSZ CONNECTOR

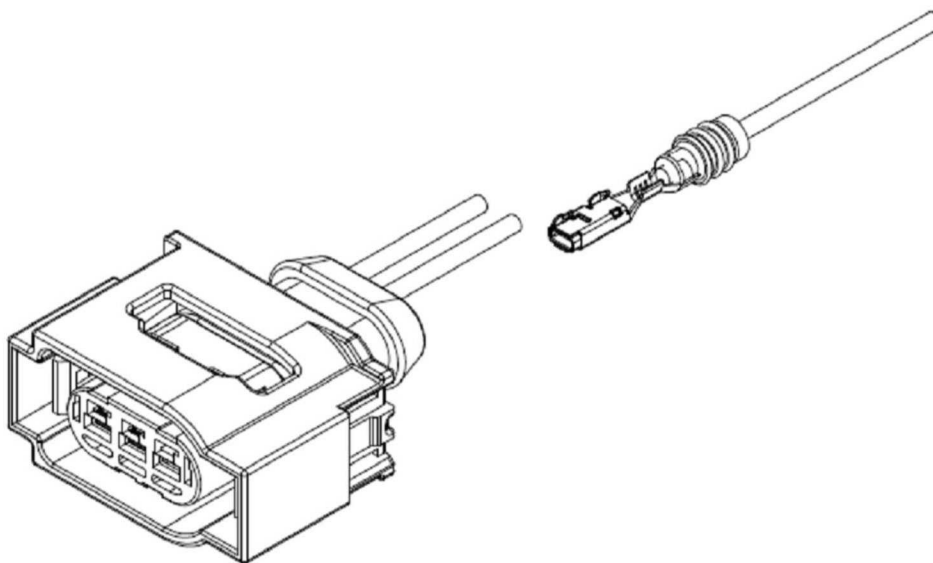
For Interface / Sealed Connector



2.8 mm sealed connector compliant with the Standard VDA Interface.

Features

- 2.8 mm Single Sealed Connector
- Compliant with the Standard VDA Interface
- Water / Dust / Splash proof design



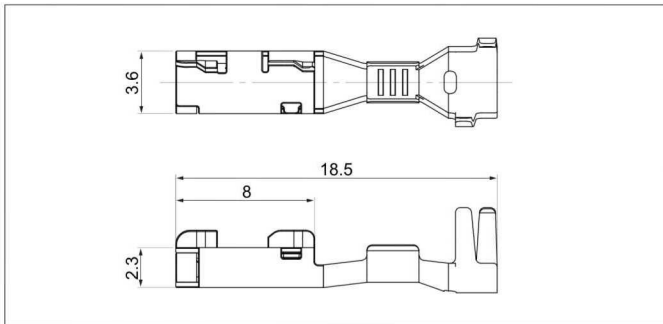
Specifications

- Current rating: 5 A AC, DC max.
(0.3 mm² to 0.5 mm², Single circuit)
- Withstanding voltage: 1,000 VAC/minute
- Temperature range: -40°C to +125°C (AESSXF)
- Contact resistance: Initial value/ 8 mΩ max.
After environmental tests/ 8 mΩ max.
- Insulation resistance: 100 MΩ min.
- Applicable wire: AESSXF / AVSS
0.3 mm² to 0.5 mm²
FLRY-A
0.35 mm² to 0.5 mm²

* Compliant with ELV/RoHS2.

* Contact JST for details.

Female terminal

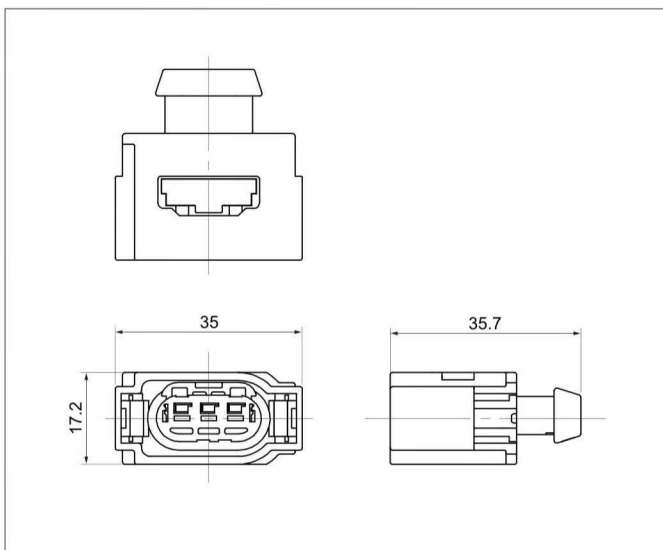


Model No.	Applicable wire range		Q'ty/reel
	Conductor (mm ²)	Insulation O.D. (mm)	
SMSZS-A021A-C2.8	0.3 to 0.5	≤1.9	2,500

Material and Finish

Copper alloy, nickel-undercoated, Contact area; silver-plated
Barrel area; tin-plated

Female connector

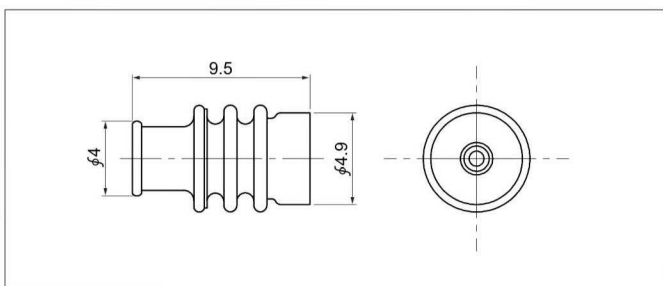


Circuits	Model No.	Q'ty/box
3	MSZRB-03-2A-K	85

Material and Finish

Housing: Glass-filled PA, Black
Inner seal: Silicone, Green
Retainer: Glass-filled PA, Natural

Wire seal



Model No.	Applicable wire range		Q'ty/box
	Conductor (mm ²)	Insulation O.D. (mm)	
A03WS-MSZ-E	0.3 to 0.5	1.6 to 1.9	2,000

Material and Finish

Silicone, Blue

Crimping machine, Applicator

Strip terminal	Crimping machine	Crimp applicator MKS-L	
		Dies	Crimp applicator with dies
SMSZS-A021A-C2.8	AP-K2N	MK/SMSZS-A021-28	APLMK-SMSZS-A021-28

Note: 1. When crimping operation is conducted using an applicator and die set other than the above, JST cannot guarantee the performance of the terminal.
2. Contact JST for details.