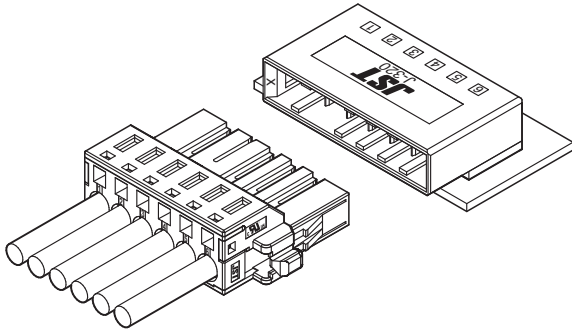


J-FAT CONNECTOR

3.5/5/5.08/6.35/8/15 mm pitch/Connectors for PC board (Spring type terminal block)



Spring type connection structure makes a wire connection operation easy by using the open tool.

Specifications

Current unit: A

Series name	No. of circuits	Current rating (AC/DC)								Voltage rating (AC/DC)	
		Wire size (AWG)									
		#8	#10	#12	#14	#16	#18	#20	#22		#24
Mini J-FAT	2	-	-	-	-	-	-	7	6	5	250 V
J-FAT-S-H	5	-	-	-	13.5	11.5	9.5	-	-	-	300 V
	9	-	-	-	12	11	9	-	-	-	
J-FAT-S-A	3	-	-	-	13	12.25	10.5	-	-	-	300 V
	4	-	-	-	12	11.25	10	-	-	-	
	5	-	-	-	11.25	10.5	9.5	-	-	-	
J-FAT-S-F	6	-	-	-	9.75	9.75	9	-	-	-	600 V
J-FAT-S-G	4	-	-	-	11.25	11.25	10	-	-	-	
J-FAT-S-4300	3	-	-	20	17	15	-	-	-	-	
J-FAT-S-XL	3	-	23	21	18	15	-	-	-	-	600 V
	6	-	21	18	16	14	-	-	-	-	
	7	-	21	18	16	13	-	-	-	-	
J-FAT-S-P	3	43	30	21	18	15	-	-	-	-	

Note : The above specifications may differ from Safety Standard.

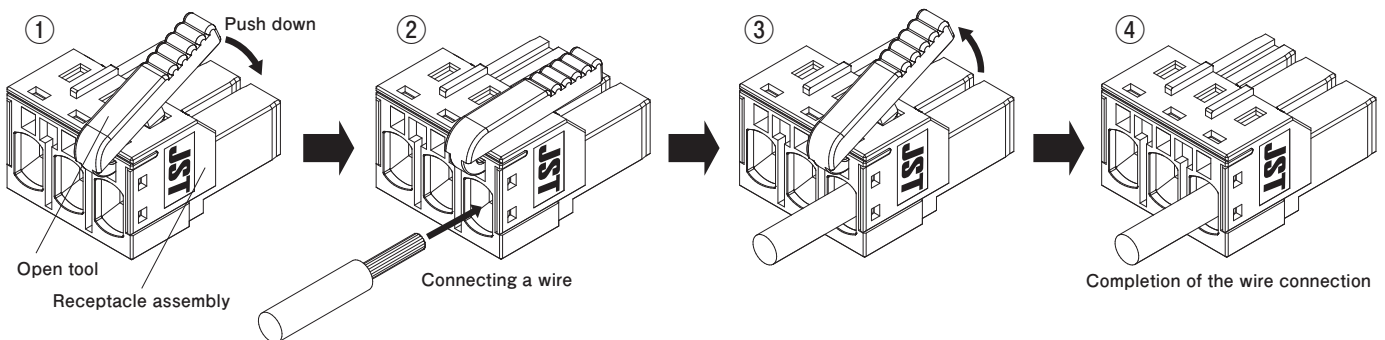
* In using the products, refer to "Handling Precaution for Terminals and Connectors" described on our website (Technical documents of Product information page).

* RoHS2 compliance

* Dimensional unit: mm

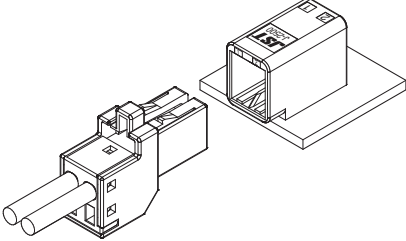
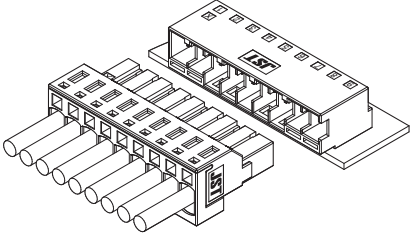
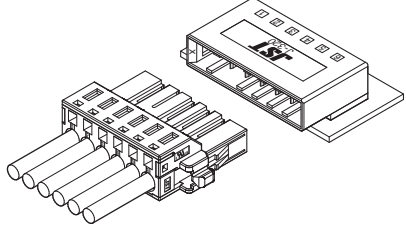
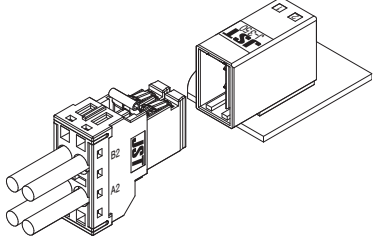
* Contact JST for details.

How to connect a wire

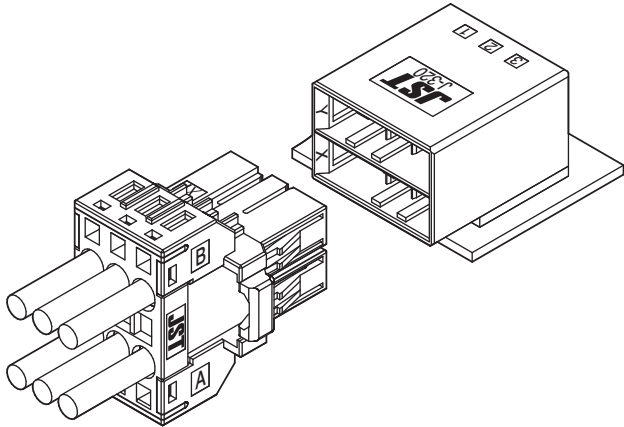


J-FAT CONNECTOR


J-FAT connector products line-up

Rated voltage	Pitch between circuits	Series name	Applicable header	No. of circuits	Applicable wire	
250 V	3.5 mm	Mini J-FAT	J2500 Header		AWG#24 to #20	
				2		
300 V	5 mm	J-FAT-S-H5.0	J-FAT-S-H5.0 Header		AWG#18 to #14	
				5, 9		
	5.08 mm	J-FAT-S-A	J320S/J320M Header			3, 4, 5, 6
				J-FAT-S-F		J320M Header
J-FAT-S-G	J350D Header		4			

J-FAT CONNECTOR/S-F SERIES



Standards

 : Recognized E 239668

*Contact JST for details about the above Safety standard.

Specifications

• Current rating : AC/DC

Current unit: A

Wire size (AWG)		
#14	#16	#18
9.75	9.75	9

- Voltage rating: 300 VAC/DC
- Temperature range: -55°C to +105°C
(including temperature rise in applying electrical current)
- Contact resistance: Initial value/ 20 mΩ max.
After environmental tests/40 mΩ max.
- Insulation resistance: Initial value/1,000 MΩ max.
After environmental tests/ 100 MΩ max.
- Withstanding voltage: 2,200 VAC/minute
- Applicable wire: AWG #18 to #14
- Applicable PC board thickness: 1.6 to 2.4 mm

Note: The above specifications may differ from Safety Standard.

* In using the products, refer to "Handling Precaution for Terminals and Connectors" described on our website (Technical documents of Product information page).

* RoHS2 compliance

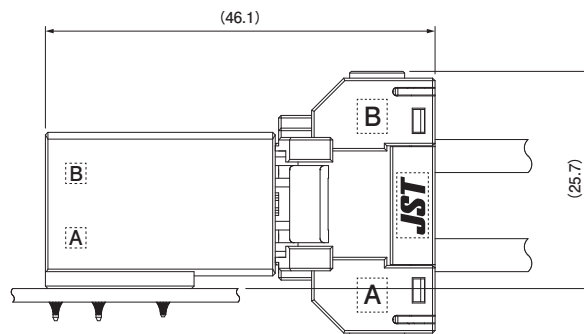
* Dimensional unit: mm

* Contact JST for details.

Assembly layout

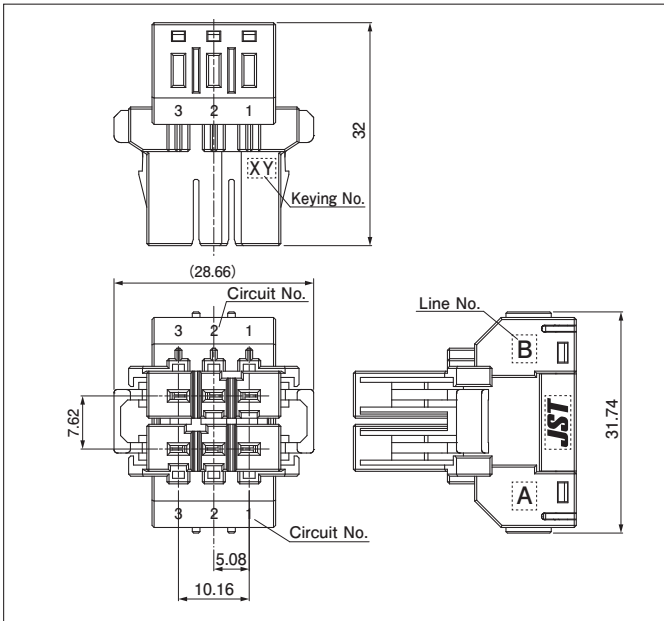
Wire-to-board

<Side entry type>



J-FAT CONNECTOR/S-F SERIES

Receptacle assembly



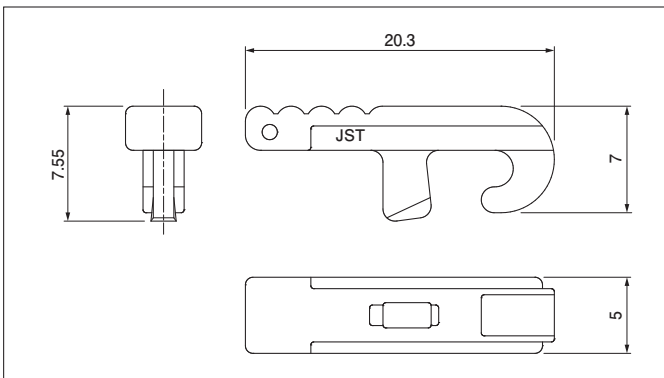
No. of circuits	Keying	Model No.	Q'ty/box
6	XY	06JFAT-SAXYGG-F-KK	140

Material and Finish

Tab contact: Copper alloy, nickel-undercoated, selective gold-plated
 Housing: Glass-filled PBT, UL94V-0, black
 Cover: Glass-filled PBT, UL94V-0, black
 Spring: Stainless

RoHS2 compliance

Open tool



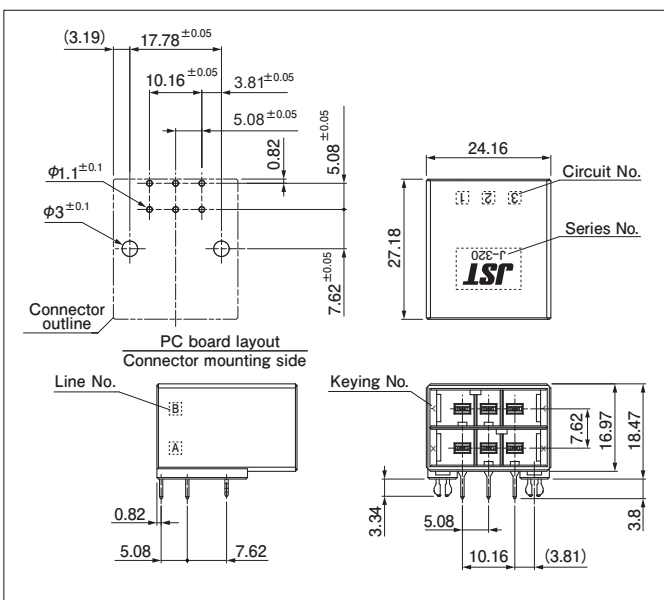
Model No.	Q'ty/ bag
J-FAT-OT (N)	1,000

Material and Finish

Glass-filled PA

RoHS2 compliance

Header (Side entry type)



No. of circuits	Keying	Model No.	Q'ty/box
6	XY	S06B-F32MK-GGXJR	80

Material and Finish

Tab contact: Copper alloy, nickel-undercoated, selective gold-plated
 Housing: Glass-filled PBT, UL94V-0, black
 Reinforcement: Copper alloy, nickel-undercoated, selective gold-plated

RoHS2 compliance This product displays (LF)(AU) on a label.