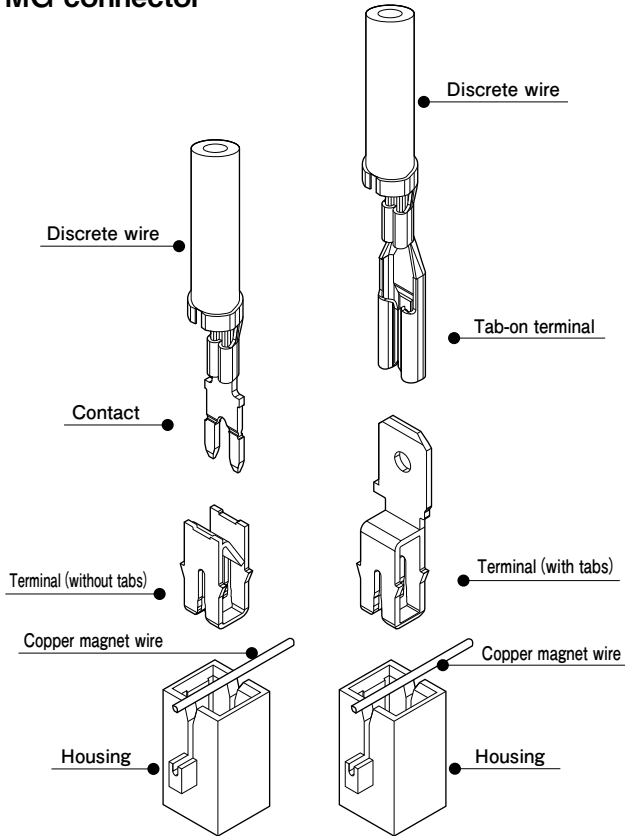


# MG CONNECTOR

Example of connection between  
copper magnet wire and wire via  
MG connector



This is a terminal for connecting the terminal part of the copper magnet wire.  
Various types of insulating coated wires can be connected easily and efficiently.

- No need to remove insulating coating in advance
- High quality and high reliability
- For the connection of discrete wires, general-purpose tab-on terminals are also available in addition to the dedicated contact.

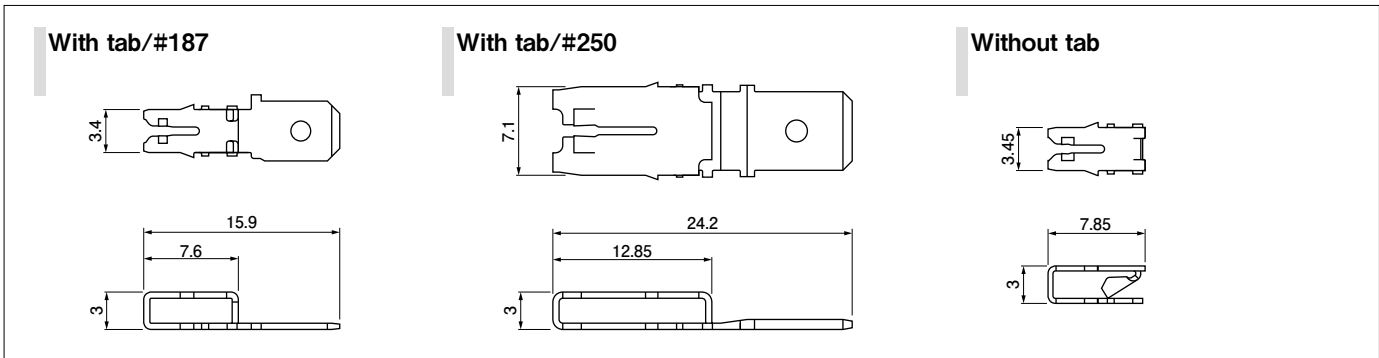
## Standards

⚡:Recognized E 70188

- \* In using the products, refer to "Handling Precautions for Terminals and Connectors" described on our website (Technical documents of Product information page).
- \* RoHS2 compliance
- \* Dimensional unit: mm
- \* Contact JST for details.

# MG CONNECTOR

## Terminal



Terminal type	Model No.	Applicable magnet wire range (Reference)		Q'ty/reel	Applicable tab-on terminal & contact (Reference)
		AWG #	O.D. (mm)		
With tab	#187 (for 0.5 mm thick tab)	MGT-10T-187	27 to 23	0.36 to 0.57	10,000
		MGT-15T-187	22 to 20	0.64 to 0.81	10,000
		MGT-24T-187	19 to 16	0.91 to 1.29	10,000
	#250 (for 0.8 mm thick tab)	*MGT-24T-250	19 to 16	0.91 to 1.29	5,000
Without tab		*MGT-10TN	27 to 23	0.36 to 0.57	10,000
		*MGT-15TN	22 to 20	0.64 to 0.81	10,000
		*MGT-24TN	19 to 17	0.91 to 1.15	10,000

### Material and Finish

Copper alloy, copper-undercoated, tin-plated

RoHS2 compliance MGT-( )T-187 displays (SN) on a label.

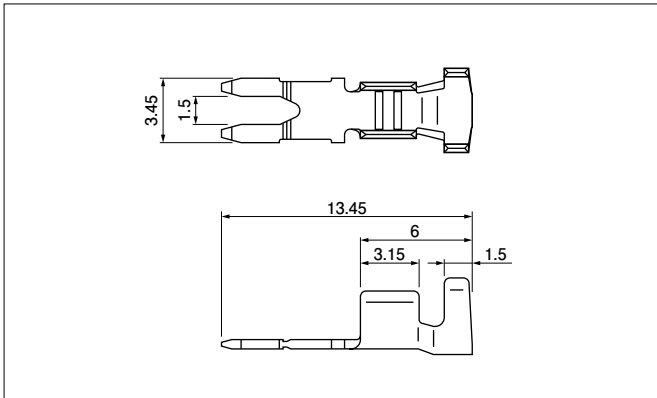
Note: 1. The applicable magnet wire size above serves as a basic guideline.

Before use, performance of this connector must be tested with the wire and housing that is to be used.

2. Please contact JST for the applicable terminals other than those listed in this table.

3. \*Marked products are unlisted in UL.

## Contact



Model No.	Applicable wire		Insulation O.D. (mm)	Q'ty/reel
	mm <sup>2</sup>	AWG #		
*SMG-21T	0.33 to 0.83	22 to 18	1.5 to 2.9	6,000

### Material and Finish

Copper alloy, copper-undercoated, tin-plated

### RoHS2 compliance

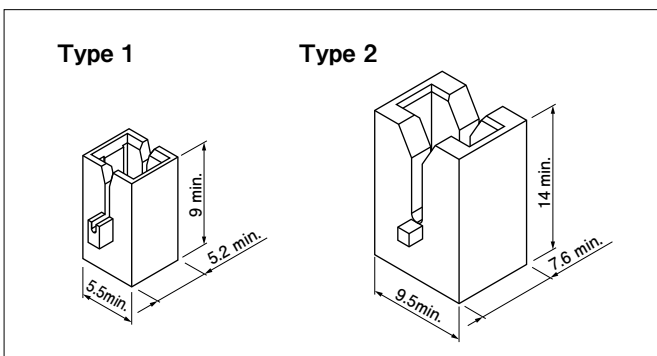
Note: \*Marked products is unlisted in UL.

### Crimping machine

Contact	Crimping machine	Applicator	Crimp applicator with dies
SMG-21T	AP-K2N	MKS-L	APLMK SMG21
			APLMK SMG21-B

Note: Contact JST for fully automatic crimping applicator.

## Recommended housing



Housing type	Applicable terminal	Material and Finish
Type 1	MGT-10T-187	Glass filled engineering plastics
	MGT-15T-187	
	MGT-24T-187	
	*MGT-10TN	
	*MGT-15TN	
Type 2	*MGT-24TN	
	*MGT-24T-250	

Note: 1. Contact JST for details.

2. \*Marked products are unlisted in UL.